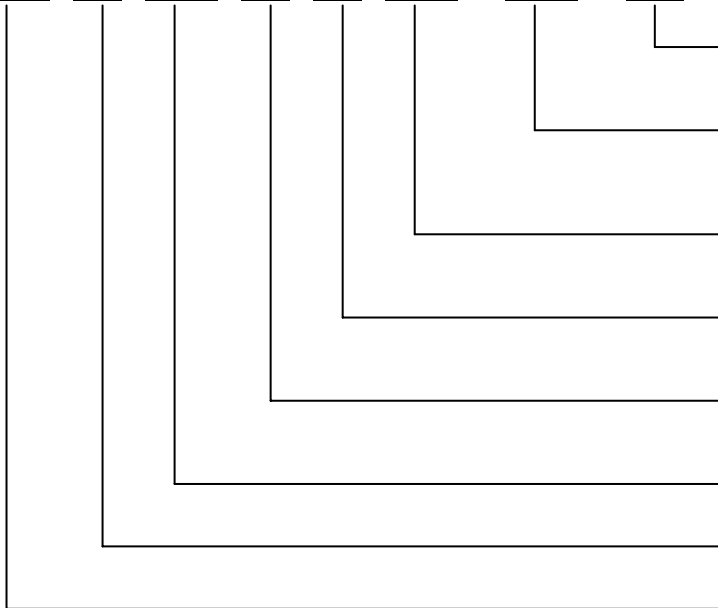




### 型号命名:

FBL-60-A-02-20-1-R-S



轴键形式	Q-平键 N-铣扁 S-光轴 G-减速机适配 T-特殊制作
电机出线形式	R-引线 P-螺纹式连接器 L-插拔式连接器 V-定制
位置传感器类型	1-开关霍尔传感器 2-线性霍尔传感器 3-光学编码器 4-无位置传感器
电机额定转速	以 100RPM 为单位: 20 表示 20X100RPM=2000RPM
电机功率	以 10W 为单位 02 表示 02X10W=20W
工作电压	A:310VDC, B:150VDC, C:110VDC, D:60VDC E:48VDC, F:36VDC, H:24VDC, K:12VDC
机座号	60
FBL 表示佛朗克无刷电机及驱动器系列	

### 技术参数:

无刷直流电机型号	额定电压 (VDC)	额定输出功率 (W)	额定转速 (RPM)	额定转矩 (N.m)	最大转矩 (N.m)	定位转矩 (N.m)	额定电流 (A)	最大电流 (A)	极对数
FBL-60K01061RS	12	10	600	0.16	0.32	0.002	1.04	2.08	4
FBL-60K01081RS	12	10	800	0.12	0.24	0.001	1.04	2.08	4
FBL-60K01101RS	12	10	1000	0.10	0.19	0.001	1.04	2.08	4
FBL-60K01151RS	12	10	1500	0.06	0.13	0.001	1.04	2.08	4
FBL-60K01201RS	12	10	2000	0.05	0.10	0.001	1.04	2.08	4
FBL-60K01301RS	12	10	3000	0.03	0.06	0.000	1.04	2.08	4
FBL-60K020061RS	12	20	600	0.32	0.64	0.004	2.08	4.17	4
FBL-60K02081RS	12	20	800	0.24	0.48	0.003	2.08	4.17	4
FBL-60K02101RS	12	20	1000	0.19	0.38	0.002	2.08	4.17	4
FBL-60K02151RS	12	20	1500	0.13	0.25	0.002	2.08	4.17	4
FBL-60K02201RS	12	20	2000	0.10	0.19	0.001	2.08	4.17	4
FBL-60K02301RS	12	20	3000	0.06	0.13	0.001	2.08	4.17	4
FBL-60K03061RS	12	30	600	0.48	0.96	0.006	3.13	6.25	4
FBL-60K03081RS	12	30	800	0.36	0.72	0.004	3.13	6.25	4
FBL-60K03101RS	12	30	1000	0.29	0.57	0.004	3.13	6.25	4
FBL-60K03151RS	12	30	1500	0.19	0.38	0.002	3.13	6.25	4
FBL-60K03201RS	12	30	2000	0.14	0.29	0.002	3.13	6.25	4
FBL-60K03301RS	12	30	3000	0.10	0.19	0.001	3.13	6.25	4





无刷直流电机型号	额定电压 (VDC)	额定输出功率 (W)	额定转速 (RPM)	额定转矩 (N.m)	最大转矩 (N.m)	定位转矩 (N.m)	额定电流 (A)	最大电流 (A)	极对数
FBL-60K04061RS	12	40	600	0.64	1.27	0.008	4.17	8.33	4
FBL-60K04151RS	12	40	1500	0.25	0.51	0.003	4.17	8.33	4
FBL-60K04201RS	12	40	2000	0.19	0.38	0.002	4.17	8.33	4
FBL-60K04301RS	12	40	3000	0.13	0.25	0.002	4.17	8.33	4
FBL-60K05081RS	12	50	800	0.60	1.19	0.007	5.21	10.42	4
FBL-60K05101RS	12	50	1000	0.48	0.96	0.006	5.21	10.42	4
FBL-60K05151RS	12	50	1500	0.32	0.64	0.004	5.21	10.42	4
FBL-60K05201RS	12	50	2000	0.24	0.48	0.003	5.21	10.42	4
FBL-60K05301RS	12	50	3000	0.16	0.32	0.002	5.21	10.42	4
FBL-60K7.5151RS	12	75	1500	0.48	0.96	0.006	7.81	15.63	4
FBL-60K7.5201RS	12	75	2000	0.36	0.72	0.004	7.81	15.63	4
FBL-60K7.5301RS	12	75	3000	0.24	0.48	0.003	7.81	15.63	4
FBL-60H01061RS	24	10	600	0.16	0.32	0.002	0.52	1.04	4
FBL-60H01081RS	24	10	800	0.12	0.24	0.001	0.52	1.04	4
FBL-60H01101RS	24	10	1000	0.10	0.19	0.001	0.52	1.04	4
FBL-60H01151RS	24	10	1500	0.06	0.13	0.001	0.52	1.04	4
FBL-60H01201RS	24	10	2000	0.05	0.10	0.001	0.52	1.04	4
FBL-60H01301RS	24	10	3000	0.03	0.06	0.000	0.52	1.04	4
FBL-60H020061RS	24	20	600	0.32	0.64	0.004	1.04	2.08	4
FBL-60H02081RS	24	20	800	0.24	0.48	0.003	1.04	2.08	4
FBL-60H02101RS	24	20	1000	0.19	0.38	0.002	1.04	2.08	4
FBL-60H02151RS	24	20	1500	0.13	0.25	0.002	1.04	2.08	4
FBL-60H02201RS	24	20	2000	0.10	0.19	0.001	1.04	2.08	4
FBL-60H02301RS	24	20	3000	0.06	0.13	0.001	1.04	2.08	4
FBL-60H03061RS	24	30	600	0.48	0.96	0.006	1.56	3.13	4
FBL-60H03081RS	24	30	800	0.36	0.72	0.004	1.56	3.13	4
FBL-60H03101RS	24	30	1000	0.29	0.57	0.004	1.56	3.13	4
FBL-60H03151RS	24	30	1500	0.19	0.38	0.002	1.56	3.13	4
FBL-60H03201RS	24	30	2000	0.14	0.29	0.002	1.56	3.13	4
FBL-60H03301RS	24	30	3000	0.10	0.19	0.001	1.56	3.13	4
FBL-60H04061RS	24	40	600	0.64	1.27	0.008	2.08	4.17	4
FBL-60H04081RS	24	40	800	0.48	0.96	0.006	2.08	4.17	4
FBL-60H04101RS	24	40	1000	0.38	0.76	0.005	2.08	4.17	4
FBL-60H04151RS	24	40	1500	0.25	0.51	0.003	2.08	4.17	4
FBL-60H04201RS	24	40	2000	0.19	0.38	0.002	2.08	4.17	4
FBL-60H04301RS	24	40	3000	0.13	0.25	0.002	2.08	4.17	4
FBL-60H05081RS	24	50	800	0.60	1.19	0.007	2.60	5.21	4
FBL-60H05101RS	24	50	1000	0.48	0.96	0.006	2.60	5.21	4
FBL-60H05151RS	24	50	1500	0.32	0.64	0.004	2.60	5.21	4





	FBL-60H05201RS	24	50	2000	0.24	0.48	0.003	2.60	5.21	4
	FBL-60H05301RS	24	50	3000	0.16	0.32	0.002	2.60	5.21	4
	FBL-60H7.5151RS	24	75	1500	0.48	0.96	0.006	3.91	7.81	4
	无刷直流电机型号	额定电压 (VDC)	额定输出功率 (W)	额定转速 (RPM)	额定转矩 (N.m)	最大转矩 (N.m)	定位转矩 (N.m)	额定电流 (A)	最大电流 (A)	极对数
	FBL-60H7.5201RS	24	75	2000	0.36	0.72	0.004	3.91	7.81	4
	FBL-60E01061RS	48	10	600	0.16	0.32	0.002	0.26	0.52	4
	FBL-60E01081RS	48	10	800	0.12	0.24	0.001	0.26	0.52	4
	FBL-60E01101RS	48	10	1000	0.10	0.19	0.001	0.26	0.52	4
	FBL-60E01151RS	48	10	1500	0.06	0.13	0.001	0.26	0.52	4
	FBL-60E01201RS	48	10	2000	0.05	0.10	0.001	0.26	0.52	4
	FBL-60E01301RS	48	10	3000	0.03	0.06	0.000	0.26	0.52	4
	FBL-60E020061RS	48	20	600	0.32	0.64	0.004	0.52	1.04	4
	FBL-60E02081RS	48	20	800	0.24	0.48	0.003	0.52	1.04	4
	FBL-60E02101RS	48	20	1000	0.19	0.38	0.002	0.52	1.04	4
	FBL-60E02151RS	48	20	1500	0.13	0.25	0.002	0.52	1.04	4
	FBL-60E02201RS	48	20	2000	0.10	0.19	0.001	0.52	1.04	4
	FBL-60E02301RS	48	20	3000	0.06	0.13	0.001	0.52	1.04	4
	FBL-60E03061RS	48	30	600	0.48	0.96	0.006	0.78	1.56	4
	FBL-60E03081RS	48	30	800	0.36	0.72	0.004	0.78	1.56	4
	FBL-60E03101RS	48	30	1000	0.29	0.57	0.004	0.78	1.56	4
	FBL-60E03151RS	48	30	1500	0.19	0.38	0.002	0.78	1.56	4
	FBL-60E03201RS	48	30	2000	0.14	0.29	0.002	0.78	1.56	4
	FBL-60E03301RS	48	30	3000	0.10	0.19	0.001	0.78	1.56	4
	FBL-60E04061RS	48	40	600	0.64	1.27	0.008	1.04	2.08	4
	FBL-60E04081RS	48	40	800	0.48	0.96	0.006	1.04	2.08	4
	FBL-60E04101RS	48	40	1000	0.38	0.76	0.005	1.04	2.08	4
	FBL-60E04151RS	48	40	1500	0.25	0.51	0.003	1.04	2.08	4
	FBL-60E04201RS	48	40	2000	0.19	0.38	0.002	1.04	2.08	4
	FBL-60E04301RS	48	40	3000	0.13	0.25	0.002	1.04	2.08	4
	FBL-60E05081RS	48	50	800	0.60	1.19	0.007	1.30	2.60	4
	FBL-60E05101RS	48	50	1000	0.48	0.96	0.006	1.30	2.60	4
	FBL-60E05151RS	48	50	1500	0.32	0.64	0.004	1.30	2.60	4
	FBL-60E05201RS	48	50	2000	0.24	0.48	0.003	1.30	2.60	4
	FBL-60E05301RS	48	50	3000	0.16	0.32	0.002	1.30	2.60	4
	FBL-60E7.5151RS	48	75	1500	0.48	0.96	0.006	1.95	3.91	4
	FBL-60E7.5201RS	48	75	2000	0.36	0.72	0.004	1.95	3.91	4
	FBL-60E7.5301RS	48	75	3000	0.24	0.48	0.003	1.95	3.91	4
	FBL-60E7.5401RS	48	75	4000	0.18	0.36	0.002	1.95	3.91	4
	FBL-60A01061RS	310	10	600	0.16	0.32	0.002	0.04	0.08	4
	FBL-60A01081RS	310	10	800	0.12	0.24	0.001	0.04	0.08	4
	FBL-60A01101RS	310	10	1000	0.10	0.19	0.001	0.04	0.08	4

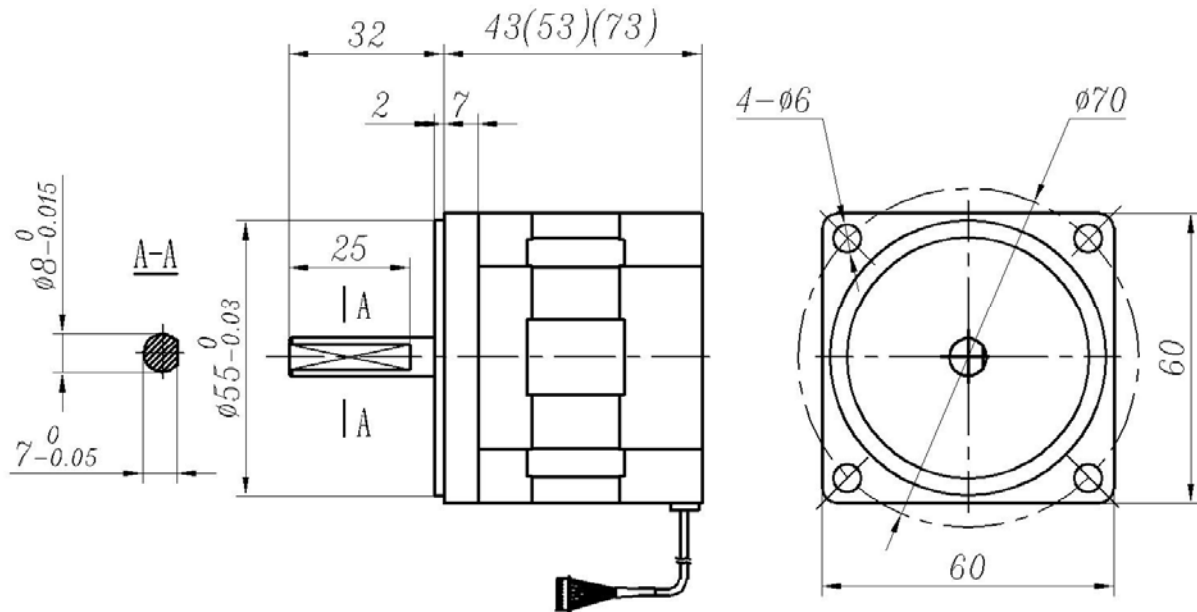




	FBL-60A01151RS	310	10	1500	0.06	0.13	0.001	0.04	0.08	4
	FBL-60A01201RS	310	10	2000	0.05	0.10	0.001	0.04	0.08	4
	FBL-60A01301RS	310	10	3000	0.03	0.06	0.000	0.04	0.08	4
	FBL-60A020061RS	310	20	600	0.32	0.64	0.004	0.08	0.16	4
	无刷直流电机型号	额定电压 (VDC)	额定输出功率 (W)	额定转速 (RPM)	额定转矩 (N.m)	最大转矩 (N.m)	定位转矩 (N.m)	额定电流 (A)	最大电流 (A)	极对数
	FBL-60A02081RS	310	20	800	0.24	0.48	0.003	0.08	0.16	4
	FBL-60A02101RS	310	20	1000	0.19	0.38	0.002	0.08	0.16	4
	FBL-60A02201RS	310	20	2000	0.10	0.19	0.001	0.08	0.16	4
	FBL-60A02301RS	310	20	3000	0.06	0.13	0.001	0.08	0.16	4
	FBL-60A03061RS	310	30	600	0.48	0.96	0.006	0.12	0.24	4
	FBL-60A03081RS	310	30	800	0.36	0.72	0.004	0.12	0.24	4
	FBL-60A03101RS	310	30	1000	0.29	0.57	0.004	0.12	0.24	4
	FBL-60A03151RS	310	30	1500	0.19	0.38	0.002	0.12	0.24	4
	FBL-60A03201RS	310	30	2000	0.14	0.29	0.002	0.12	0.24	4
	FBL-60A03301RS	310	30	3000	0.10	0.19	0.001	0.12	0.24	4
	FBL-60A04061RS	310	40	600	0.64	1.27	0.008	0.16	0.32	4
	FBL-60A04081RS	310	40	800	0.48	0.96	0.006	0.16	0.32	4
	FBL-60A04101RS	310	40	1000	0.38	0.76	0.005	0.16	0.32	4
	FBL-60A04151RS	310	40	1500	0.25	0.51	0.003	0.16	0.32	4
	FBL-60A04201RS	310	40	2000	0.19	0.38	0.002	0.16	0.32	4
	FBL-60A04301RS	310	40	3000	0.13	0.25	0.002	0.16	0.32	4
	FBL-60A05081RS	310	50	800	0.60	1.19	0.007	0.20	0.40	4
	FBL-60A05101RS	310	50	1000	0.48	0.96	0.006	0.20	0.40	4
	FBL-60A05151RS	310	50	1500	0.32	0.64	0.004	0.20	0.40	4
	FBL-60A05201RS	310	50	2000	0.24	0.48	0.003	0.20	0.40	4
	FBL-60A05301RS	310	50	3000	0.16	0.32	0.002	0.20	0.40	4
	FBL-60A05401RS	310	50	4000	0.12	0.24	0.001	0.20	0.40	4
	FBL-60A05501RS	310	50	5000	0.10	0.19	0.001	0.20	0.40	4
	FBL-60A05601RS	310	50	6000	0.08	0.16	0.001	0.20	0.40	4
	FBL-60A05801RS	310	50	8000	0.06	0.12	0.001	0.20	0.40	4
	FBL-60A051001RS	310	50	10000	0.05	0.10	0.001	0.20	0.40	4
	FBL-60A7.5151RS	310	75	1500	0.48	0.96	0.006	0.30	0.60	4
	FBL-60A7.5201RS	310	75	2000	0.36	0.72	0.004	0.30	0.60	4
	FBL-60A7.5301RS	310	75	3000	0.24	0.48	0.003	0.30	0.60	4
	FBL-60A7.5401RS	310	75	4000	0.18	0.36	0.002	0.30	0.60	4
	FBL-60A7.5501RS	310	75	5000	0.14	0.29	0.002	0.30	0.60	4
	FBL-60A7.5801RS	310	75	8000	0.09	0.18	0.001	0.30	0.60	4
	FBL-60A7.51001RS	310	75	10000	0.07	0.14	0.001	0.30	0.60	4
	FBL-60A10201RS	310	100	2000	0.48	0.96	0.006	0.40	0.81	4
	FBL-60A10301RS	310	100	3000	0.32	0.64	0.004	0.40	0.81	4
	FBL-60A10401RS	310	100	4000	0.24	0.48	0.003	0.40	0.81	4



**电机外形尺寸**



注：电机长度 L 根据功率，转速的不同，分别为 43mm,53mm,73mm